

JB-A12-134

12V134Ah(10hr)



Overview

The rechargeable batteries are lead-lead dioxide systems. The dilute sulfuric acid electrolyte is absorbed by separators and plates and thus immobilized. Should the battery be accidentally overcharged producing hydrogen and oxygen, special oneway valves allow the gases to escape thus avoiding excessive pressure build-up. Otherwise, the battery is completely sealed and is, therefore, maintenance-free, leak proof and usable in any position.

Battery Construction

Component	Positive plate	Negative plate	Container	Cover	Safety valve	Terminal	Separator	Electrolyte
Raw material	Lead dioxide	Lead	ABS	ABS	Rubber	Copper	Fiberglass	Sulfuric acid

General Features

- Positive and negative plates in lead-calcium-tin alloy;
- Stable Quality&High Reliability;
- Sealed Construction;
- Long Service Life;
- Maintenance-Free Operation;
- Low Pressure Venting System;
- Low Self Discharge;
- U.L.Component Recognition;
- Six months shelf life at 20°C;
- Design life 10 years

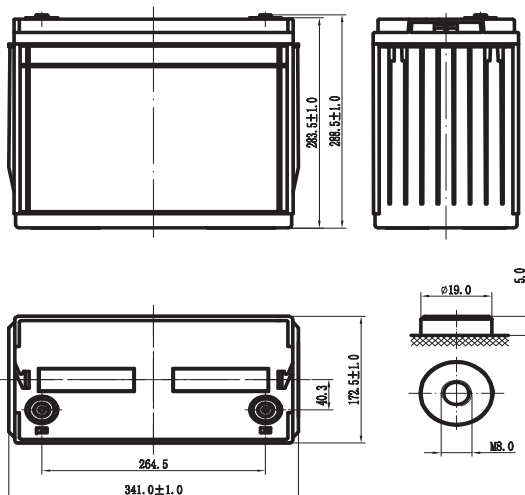
Battery Specification

Performance Characteristics	
Nominal Voltage	12V
Number of cell	6
Design Life	10 years
Nominal Capacity 77°F(25°C)	
10 hour rate (13.4A, 10.8V)	134Ah
5 hour rate (23.6A, 10.5V)	118Ah
1 hour rate (86.5A, 9.6V)	86.5Ah
Internal Resistance	
Fully Charged battery 77 °F(25°C)	≤5 .0 mOhms
Self-Discharge	
3% of capacity declined per month at 20°C(average)	
Operating Temperature Range	
Discharge	-20~60°C
Charge	-10~60°C
Storage	-20~60°C
Max. Discharge Current 77°F(25°C)	950A(5s)
Short Circuit Current	2500A
Charge Methods: Constant Voltage Charge 77°F(25°C)	
Cycle use	2.40-2.45VPC
Maximum charging current	40.2A
Temperature compensation	-30mV/°C
Standby use	2.20-2.30VPC
Temperature compensation	-20mV/°C

Dimensions and Weight

Length(mm / inch)	341 / 13.4
Width(mm / inch)	173 / 6.81
Height(mm / inch)	283 / 11.1
Total Height(mm / inch)	287 / 11.3
Approx. Weight(Kg / lbs)	40.0 / 88.2

* Weight deviation: 5%



Discharge Constant Current (Amperes at 77°F25°C)

End Point								
Volts/Cell	10min	15min	30min	45min	1h	3h	5h	10h
1.60V	314	248	147	107	86.5	38.2	25.6	13.6
1.65V	292	237	145	105	84.3	37.4	25.0	13.6
1.70V	280	231	142	102	82.1	36.8	24.3	13.5
1.75V	257	214	139	99.8	80.2	36.1	23.6	13.5
1.80V	235	197	134	96.7	78.0	35.2	23.0	13.4

Discharge Constant Power (Watts at 77°F25 °C)

End Point								
Volts/Cell	10min	15min	30min	45min	1h	2h	3h	5h
1.60V	566	474	287	206	163	94.6	71.8	47.4
1.65V	529	433	261	200	158	92.2	70.3	47.0
1.70V	512	427	258	195	154	90.6	69.5	45.9
1.75V	483	414	254	192	152	89.5	68.6	44.8
1.80V	448	391	247	189	150	88.7	68.2	44.0

(Note)The above characteristics data are average values obtained within three charge/discharge cycles not the minimum values.All data shall be changed without notice,Vision reserves the right to explain and update the information contained hereinto.

JB-A12-134

12V134Ah(10hr)

