

# JB-H12-165W 12V33Ah

## Overview

The rechargeable batteries are lead-lead dioxide systems. The diutelsulfuric acid electloyte is absorbed by separators and plates and thus immobilized. Should the battery be accidentally overcharged producing hydrogen and oxygen, special oneway valves allow the gases to escape thus avoiding excessive pressure build-up. Otherwise, the battery is completely sealed and is, therefore, maintenance-free, leak proof and usable in any position.



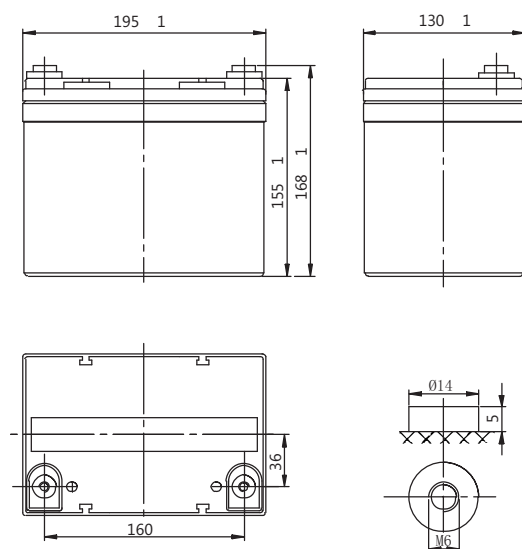
## General Features

- Positive and negative plates in lead-calcium tin alloy;
- Superior energy density;
- Operates at a low internal pressure;
- Gas Recombination;
- Usable in any orientation;
- A recognized component of UL;
- Very high power output;
- Application specific designs;
- A couple Range from 13W to 1010W per cell for 10'@1.60Vpc;
- Six months shelf life at 20°C;
- Design life 10 years.

## Dimensions and Weight

Length(mm / inch)	195 / 7.68
Width(mm / inch)	130 / 5.12
Height(mm / inch)	155 / 6.10
Total Height(mm / inch)	168 / 6.61
Approx. Weight(Kg / lbs)	11.1 / 24.5

\* Weight deviation: 5%



## Battery Specification

Performance Characteristics	
Nominal Voltage	12V
Number of cell	6
Design Life	10 years
Nominal Capacity 77°F(25°C)	
10 min wattage @1.6V	165W/cell
20 hour rate (1.70A, 10.5V)	34.0Ah
10hour rate (3.30A, 10.8V)	33.0Ah
Internal Resistance	
Fully Charged battery 77 °F(25°C)	≤7 m Ohms
Self-Discharge	
3% of capacity declined per month at 20°C(average)	
Operating Temperature Range	
Discharge	-20~60°C
Charge	-10~60°C
Storage	-20~60°C
Max. Discharge Current 77°F(25°C)	330A(5s)
Charge Methods: Constant Voltage Charge 77°F(25°C)	
Cycle use	2.40-2.45VPC
Maximum charging current	9.9A
Temperature compensation	-30mV/°C
Standby use	2.20-2.30VPC
Temperature compensation	-20mV/°C

## Discharge Constant Current (Amperes at 77°F25°C)

End Point						
Volts/Cell	5min	10min	15min	30min	45min	60min
1.60V	135	95.5	73.5	45.5	33.1	25.8
1.65V	127	90.3	69.7	43.2	31.5	24.6
1.70V	119	85.1	65.8	40.8	29.9	23.4
1.75V	111	79.9	62.0	38.5	28.3	22.2
1.80V	106	76.9	59.8	37.5	27.6	21.7

## Discharge Constant Power (Watts at 77°F25 °C)

End Point						
Volts/Cell	5min	10min	15min	30min	45min	60min
1.60V	247	165	125	77.6	57.5	46.8
1.65V	237	159	120	75.1	55.8	45.5
1.70V	226	153	116	72.6	54.1	44.3
1.75V	216	146	111	70.0	52.3	43.0
1.80V	205	140	107	67.5	50.6	41.7

(Note)The above characteristics data are average values obtained within three charge/discharge cycles not the mimimum values.All data shall be changed without notice, Vision reserves the right to explain and update the information contained

# JB-H12-165W 12V33Ah

