

JB-H12-600W 12V134Ah

Overview

The rechargeable batteries are lead- lead dioxide systems. The dilute sulfuric acid electrolyte is absorbed by separators and plates and thus immobilized. Should the battery be accidentally overcharged producing hydrogen and oxygen, special oneway valves allow the gases to escape thus avoiding excessive pressure build-up. Otherwise, the battery is completely sealed and is, therefore, maintenance-free, leak proof and usable in any position.

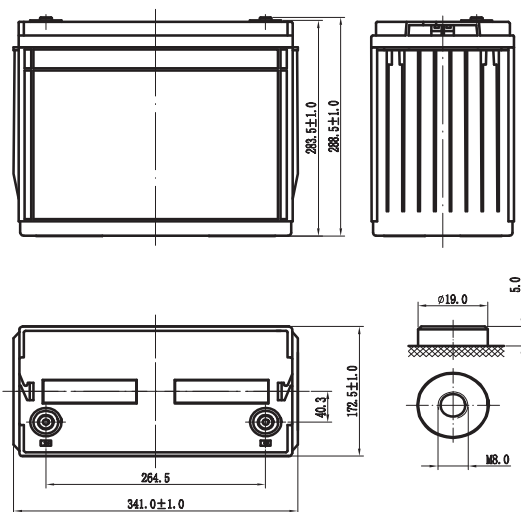
General Features

- Positive and negative plates in lead-calcium tin alloy;
- Superior energy density;
- Operates at a low internal pressure;
- Gas Recombination;
- Usable in any orientation;
- A recognized component of UL;
- Very high power output;
- Application specific designs;
- A couple Range from 13W to 1010W per cell for 10'@1.60Vpc;
- Six months shelf life at 20°C;
- Design life 10 years.

Dimensions and Weight

Length(mm / inch)	341 / 13.4
Width(mm / inch)	173 / 6.81
Height(mm / inch)	283/ 11.1
Total Height(mm / inch)	287/ 11.3
Approx. Weight(Kg / lbs)	41.5 / 91.5

* Weight deviation: 5%



Battery Specification

Performance Characteristics	
Nominal Voltage	12V
Number of cell	6
Design Life	10 years
Nominal Capacity 77°F(25°C)	
10 min wattage @1.6V	600W/cell
20hour rate (7.20A, 10.5V)	140Ah
10hour rate (13.4A, 10.8V)	134Ah
Internal Resistance	
Fully Charged battery 77 °F(25°C)	≤4 .0 mOhms
Self-Discharge	
3% of capacity declined per month at 20°C(average)	
Operating Temperature Range	
Discharge	-20~60°C
Charge	-10~60°C
Storage	-20~60°C
Max. Discharge Current 77°F(25°C)	950A(5s)
Charge Methods: Constant Voltage Charge 77°F(25°C)	
Cycle use	2.40-2.45VPC
Maximum charging current	40.2A
Temperature compensation	-30mV/°C
Standby use	2.20-2.30VPC
Temperature compensation	-20mV/°C

Discharge Constant Current (Amperes at 77°F25°C)

End Point						
Volts/Cell	10min	15min	20min	30min	45min	60min
1.60V	329	270	227	180	129	100
1.65V	312	256	215	171	122	95.7
1.70V	294	240	204	162	115	91.3
1.75V	276	227	192	153	109	86.5
1.80V	265	218	186	148	107	84.5

Discharge Constant Power (Watts at 77°F25 °C)

End Point						
Volts/Cell	10min	15min	20min	30min	45min	60min
1.60V	600	490	404	319	234	180
1.65V	578	472	390	308	227	177
1.70V	554	455	377	298	220	173
1.75V	526	438	363	288	213	169
1.80V	504	421	350	277	206	165

(Note)The above characteristics data are average values obtained within three charge/discharge cycles not the minimum values.All data shall be changed without notice, Vision reserves the right to explain and update the information contained hereinto.

JB-H12-600W 12V134Ah

