

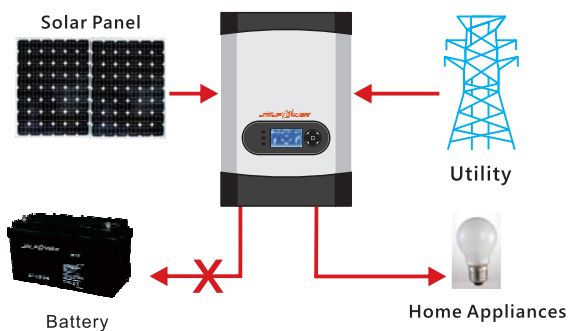


JSI-SN PLUS Hybrid Solar Inverter Transformer less type

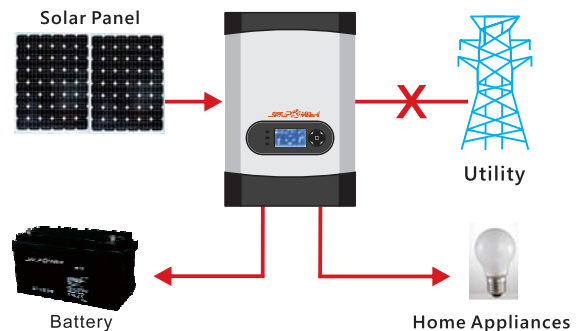
• MAIN FEATURES

1. Remote & Removable LCD control module with Various communications
2. With MPPT solar charger controller built-in
3. Wide PV input range, work without battery
4. Smart and intelligent Pure sine wave solar inverter
5. Selectable charging current based on applications
6. Compatible with (Li ion, LiFePo4 and ect.) batteries with BMS
7. Battery equalization
8. Data logging and storage function
9. Energy prioritization according to the timer.

without battery status

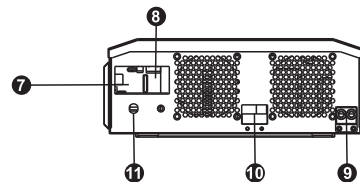
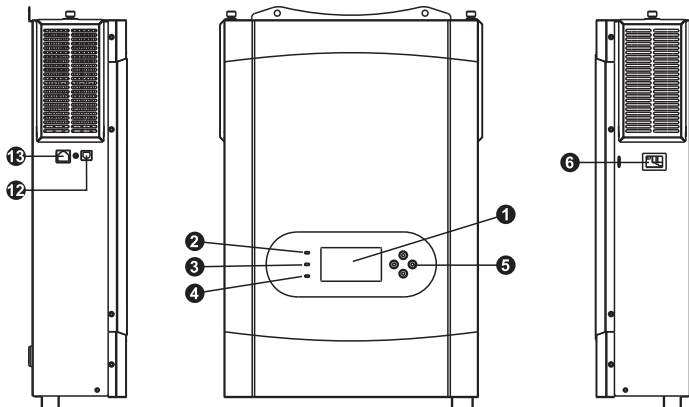


AC failed status



SPECIFICATION

Model	JSI-SN-3K Plus	JSI-SN-5K Plus
The rated power	3KW	5KW
INPUT		
Voltage	230 VAC	
Selectable Voltage Range	170-280VAC (For Personal Computers), 90-280VAC (For Home Appliances)	
Frequency Range	50Hz/60Hz (Auto sensing)	
OUTPUT		
AC Voltage Regulation (Batt. Model)	230VAC \pm 5%	
Surge Power	6000VA	10000VA
Efficiency(Peak)	90-93%	
Transfer Time	15ms (For Personal Computers), 20ms (For Home Appliances)	
Wave form	Pure sine wave	
BATTERY		
Battery voltage	24VDC	48VDC
Floating Charge Voltage	27VDC	54VDC
Overcharge Protection	31VDC	63VDC
SOLAR CHARGER&AC CHARGER		
Maximum PV Array Power	4000W	
MPPT Range at Operation Vol.	120-450VDC	
Maximum PV Array Open Circuit Vol.	500VDC	
Solar Charger Type	MPPT	
Maximum AC Charge Current	60A	
Maximum solar Charge Current	80A	
PHYSICAL		
Communication Interface	Removable USB/RS232/RS485/Bluetooth/Dry-contact	
OPERATING ENVIRONMENT		
Humidity	5% to 95% Relative Humidity (Non-condensing)	
Operation Temperature	0°C-50°C	



- | | |
|-----------------------|------------------------------|
| 1.LCD display | 8.AC output |
| 2.Status indicator | 9.PV input |
| 3.Charging indicator | 10.Battery input |
| 4.Fault indicator | 11.Circuit breaker |
| 5.Function buttons | 12.USB communication port |
| 6.Power on/off switch | 13.RS-232 communication port |
| 7.AC input | |