

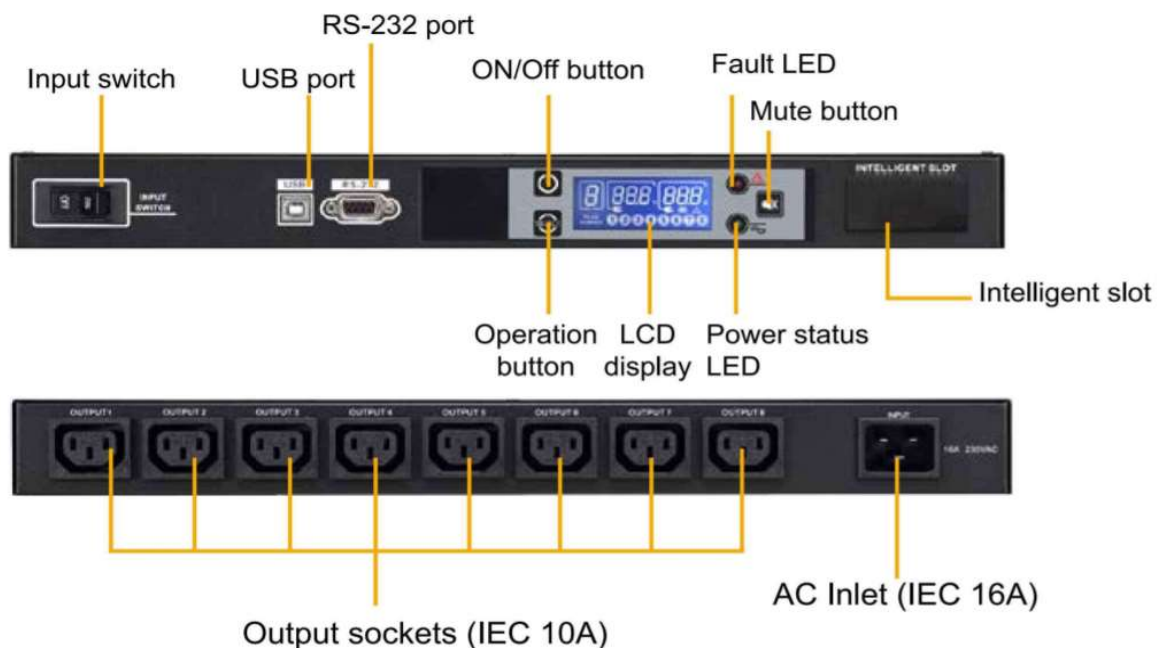


PDU (Power Distribution Unit)

Key Feature

- Provides reliable power distribution to multiple devices
- 1U form factor for horizontal or vertical rack installation
- Individual real-time current measurements (Amp)
- Total active power measurements
- Scheduled On/Off control capability for all outlets
- Sequential turn-on outlets delay setting to prevent high peak current
- RS-232/USB and SNMP multiple communications

Product Overview



Specification

PDU PRODUCT SPECIFICATION

PDU PRODUCT SPECIFICATION	
MODEL	PDU
Nominal Voltage	220/230/240 VAC
Form Factor	1U
Input Plug Type	1 x IEC (16 A) connector and 1x plug cable
Cord Length	1.8m
Output Receptacle	8 x IEC 10A sockets
INDICATORS	
LED Indicators	PDU power LED and fault LED
LCD Display	Indicates outlet On/Off status, input voltage & current, outlet current and fault/alarm code
PHYSICAL	
Dimension, D X W X H (mm)	250 x 430 x 44
Net Weight (kgs)	3.5
ENVIRONMENT	
Operating Temperature	20-90 % RH @ 0- 50°C (non-condensing)

* Product specifications are subject to change without further notice