



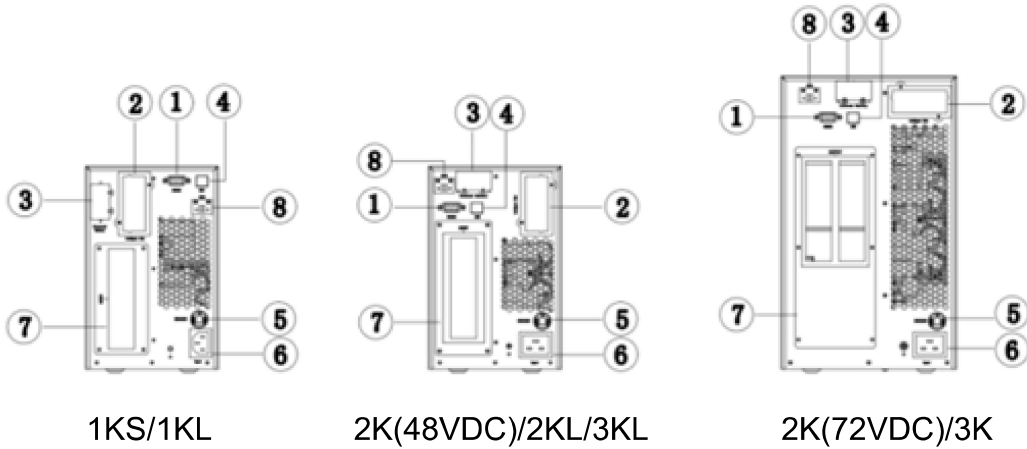
JP5540 series double conversion on line UPS

JP5540 series is an online double-conversion UPS with fully digital control technology. This fully upgraded new generation of UPS not only has an ultra-high input and output power factor, but also increases the efficiency on the basis of the original 5%. JP5540 with adjustable 12A charger is a perfect choice for PC and other sensitive devices request longer backup time.

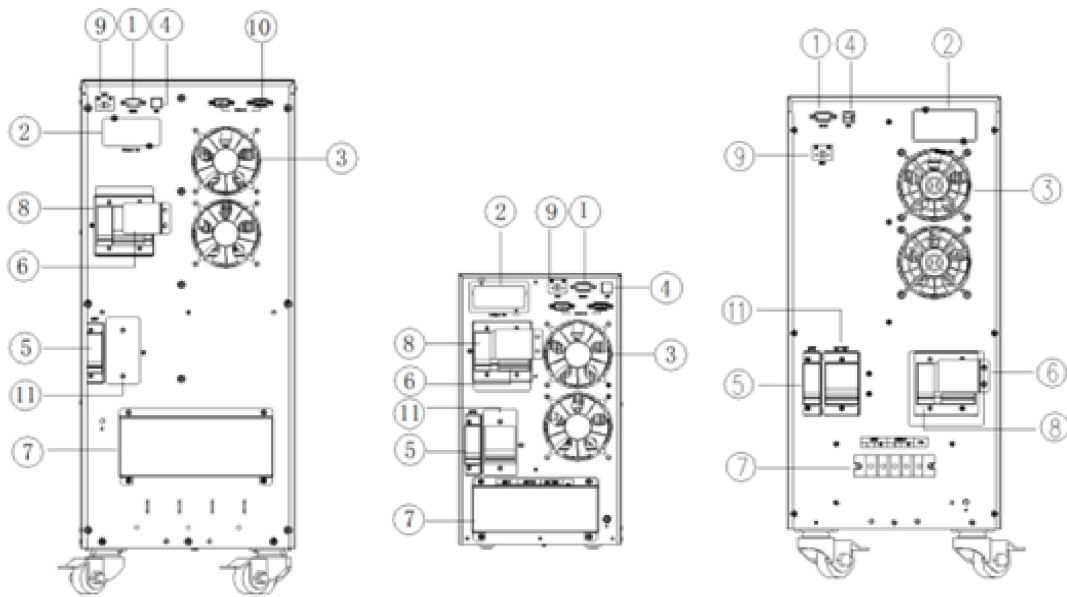
Product Feature

- Wide range of input voltage
- Output PF of 1, upgraded overload capability
- Full protection of over-voltage and short-circuit
- Multiple communication interface
- LCD/LED display, monitoring all the operation status
- Auto fan speed adjustment
- External environment and battery temperature sensor
- 1-12A adjustable charger with more flexibility
- Compatible with the generator(6-10Kva)

Rear panel



- | | |
|------------------------------------|---|
| ① RS232 | ⑤ Input over current protection breaker |
| ② Smart slot | ⑥ AC input |
| ③ External battery connection port | ⑦ Output socket |
| ④ USB | ⑧ EPO |



- | | |
|---------------------------------------|------------------------------------|
| ① RS232 port | ⑧ Output breaker(optional) |
| ② Smart slot | ⑨ EPO |
| ③ Fan | ⑩ Parallel kit(optional) |
| ④ USB Port | ⑪ Battery breaker |
| ⑤ Input breaker | ⑫ External battery connection port |
| ⑥ Maintenance bypass switch(optional) | ⑬ Output socket |
| ⑦ Terminal block | ⑭ Over current protection |

Model	JP5540					
	1K	1KL	2K	2KL	3K	3KL
Capacity	1KVA/1KW		2KVA/2KW		3KVA/3KW	
Input						
Rated Voltage	208/ 220/230/240Vac, L+N+PE					
Voltage Range	110~300Vac					
Frequency Range	40-70Hz					
Power Factor	≥0.99					
THDi	≤4% (linear load); ≤5% (non-linear load)					
Output						
Rated Voltage	208/220/230/240Vac,L+N+PE					
Voltage Regulation	±1%					
Frequency	50/60Hz ± 0.1%					
THDu	≤2% (linear load); ≤5% (non-linear load)					
Transfer Time	Zero					
Waveform	Pure sine wave					
Crest Factor	3:1					
Overload Capacity (Line Mode)	102%~110% load, 30min;110%~130% load, 10min; 130%~150% load, 30s; >150% load, 200ms					
Overload Capacity (Battery Mode)	102%~110% load, 1min;110%~130% load, 10s; 130%~150% load, 3s;>150% load, 200ms					
Efficiency						
Line Mode	94.5%		95.5%		95.5%	
Battery Mode	88.5%		91.5%		91.5%	
ECO Mode	98%					
Battery						
Nominal Voltage	24VDC / 36VDC	36VDC	48VDC / 72VDC	72VDC	72VDC / 96VDC	96VDC
Battery Number	7Ah*2 / *3	External	7Ah*4 / *6	External	7Ah*6/*8	External
Charge Current	1A	1-12A settable	1-12A	1-12A settable	1A	1-12A settable
Communication						
Interface	RS232 / USB / SNMP card(optional) /Dry contact card(optional)					
Environment						
Operation Temperature	0~40℃					
Humidity	0~95%(non-condensing)					
Noise	≤50dB@1meter away					
Altitude	Up to 1000m without derating					
Physical						
Dimensions (W*D*H)mm	145*364*224	145*364*224	145*408*224/ 190*409*322	145*408*224	190*409*322	145*408*224
Weight (kg)	9 /11	4.5	16.3 /20.2	6	23.5 /27	6.3

JP5540				
Model	6K	6KL	10K	10KL
Capacity	6KVA/6KW		10KVA/10KW	
Input				
Rated Voltage	208/ 220/230/240Vac, L+N+PE			
Voltage Range	110~300Vac			
Frequency Range	40-70Hz			
Power Factor	≥0.99			
THDi	≤5%(linear load); ≤8%(non-linear load)			
Output				
Rated Voltage	208/220/230/240Vac, L+N+PE			
Voltage Regulation	±1%			
Frequency	50/60Hz±0.1%			
THDu	≤2% (linear load); ≤5% (non-linear Load)			
Transfer Time	Zero			
Waveform	Pure sine wave			
Crest Ratio	3:1			
Overload Capacity (Line Mode)	102%~105% load, 30min; 105%~125% load, 10min; 125%~150% load, 30s; >150% load, 500ms			
Overload Capacity (Battery Mode)	102%~105% load, 10min; 105%~125% load, 1min; 125%~150% load, 10s; >150% load, 500ms			
Battery				
Battery Type	Sealed lead acid maintenance free			
Nominal Voltage	192Vdc / 240Vdc			
Battery Number	7Ah*16/20pcs	External	9Ah*16/20pcs	External
Charge Current	1A	1-12A settable	1A	1-12A settable
Efficiency				
Line Mode	95%			
Battery Mode	94.5%			
ECO Mode	98%			
Communication				
Interface	RS232 / USB/ SNMP card(optional) /Dry contact card (optional)			
Environment				
Operation Temperature	0~40°C			
Humidity	0~95%(non-condensing)			
Noise	≤50dB@1meter away			
Altitude	Up to 1000m without derating			
Physical				
Dimensions (W*D*H) mm	250*531*604	190*451*322	250*531*604	190*451*322
Weight (kg)	57/67	10	61.3/71.5	11